

ISUZU
RELIABILITY IS EVERYTHING

isuzu.com.au

Isuzu Australia Limited ABN 97 006 962 572 ("IAL"). The information in this brochure was correct at time of printing, but all measurements, specifications and equipment are subject to change without notice. Bodies and equipment featured in this brochure may have changed, may not be genuine accessories and are available at an additional cost. IAL may make changes at any time without notice, in prices, colours, materials, equipment and models. IAL makes all reasonable attempts to ensure the availability of all vehicles and equipment. The information in this brochure is general in nature. Your Isuzu Truck Dealer can confirm all measurements, specifications and vehicle/equipment availability upon request. Any body illustrated is not necessarily standard equipment. SEP2023 FSA/ISZS1757
Printed on environmentally responsible and carbon neutral paper.



FX SERIES
GVM: 16,500 - 24,000kg
GCM: 38,000 - 45,000kg

ISUZU
RELIABILITY IS EVERYTHING

SERIES





HEAVIER DUTY

To lighten your load.

Isuzu has been the leading truck brand in Australia for 34 years straight*. A dominant position earned by offering you safety, performance, driveability, comfort, operating costs, productivity and, above all, our legendary reliability. The FX Series covers 4x2s, 6x4s and 6x2. Also offered are choices of transmissions, wheelbases, axles and suspensions. So even when it's heavy duty, we'll lighten your load.

*According to T-Mark industry statistics.

FX Series.

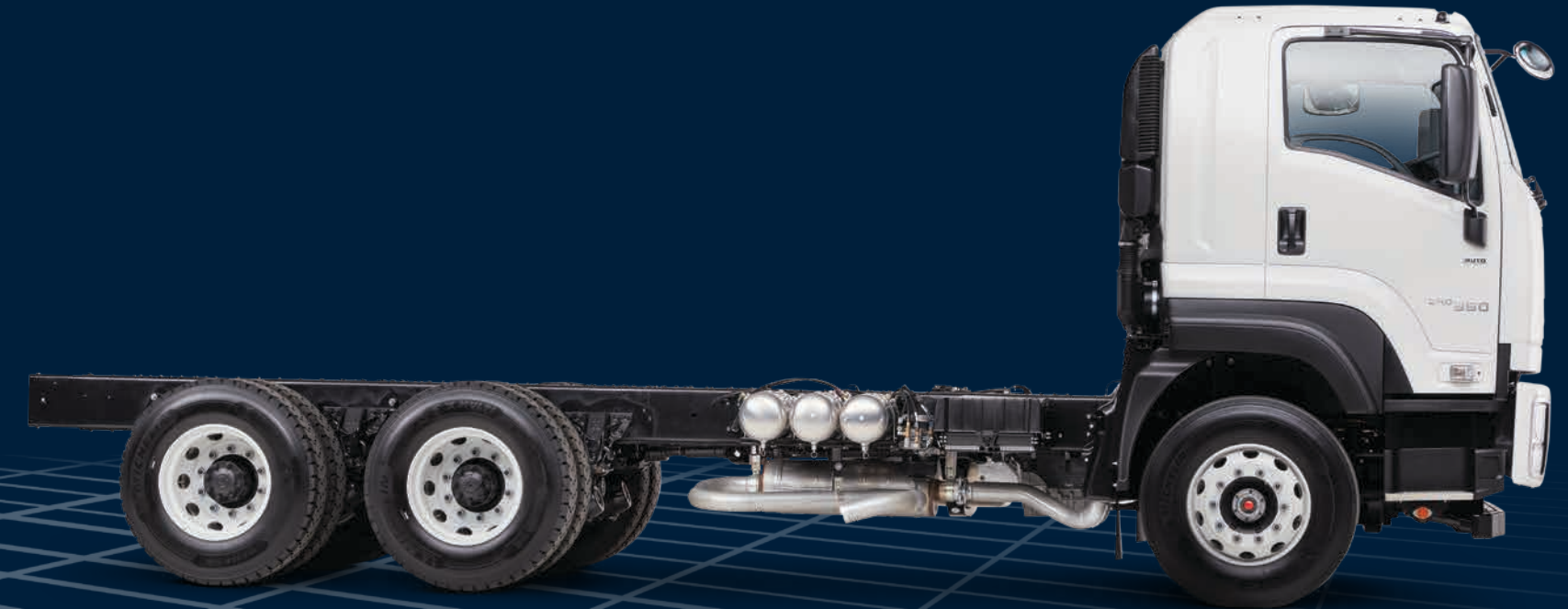


4x2.

16,500kg GVM, 38,000kg GCM

Super dependable and adaptable, our FX range starts with the FXR and FXD models. They're available in manual and automatic transmissions and have a GVM of 16,500kg and a GCM of 38,000kg. And as you'd expect from Isuzu, they're superbly engineered. For instance, auto models come standard with an Allison 4430 transmission, where a 3200 is the industry norm.

- 350PS (257kW), 9.8 litre Isuzu diesel engine with DOC (Diesel Oxidation Catalyst).
- ZF 9-Speed Manual or Allison 6-Speed Automatic.
- Reversing camera standard.
- Cornering lamps.
- Wide, three-seater, first-class cab.
- ISRI 6860 seat with integrated seatbelt.
- All-New 10.1 inch touch screen MyIsuzu Co-Pilot Multimedia system, with digital and Internet radio.
- Driver airbag with seatbelt pretensioner.
- Cruise control.



6x2 & 6x4.

24,000kg GVM & 38,000 to 45,000kg GCM

When it comes time to get serious, you need the serious grunt of our FXL, FXY and FXZ models. These are the heavyweights of the FX series with a GVM of 24,000kg and a GCM ranging from 38,000 to 45,000kg depending on the model. And you can choose from manual and auto options, including an Allison 4430 series automatic transmission.

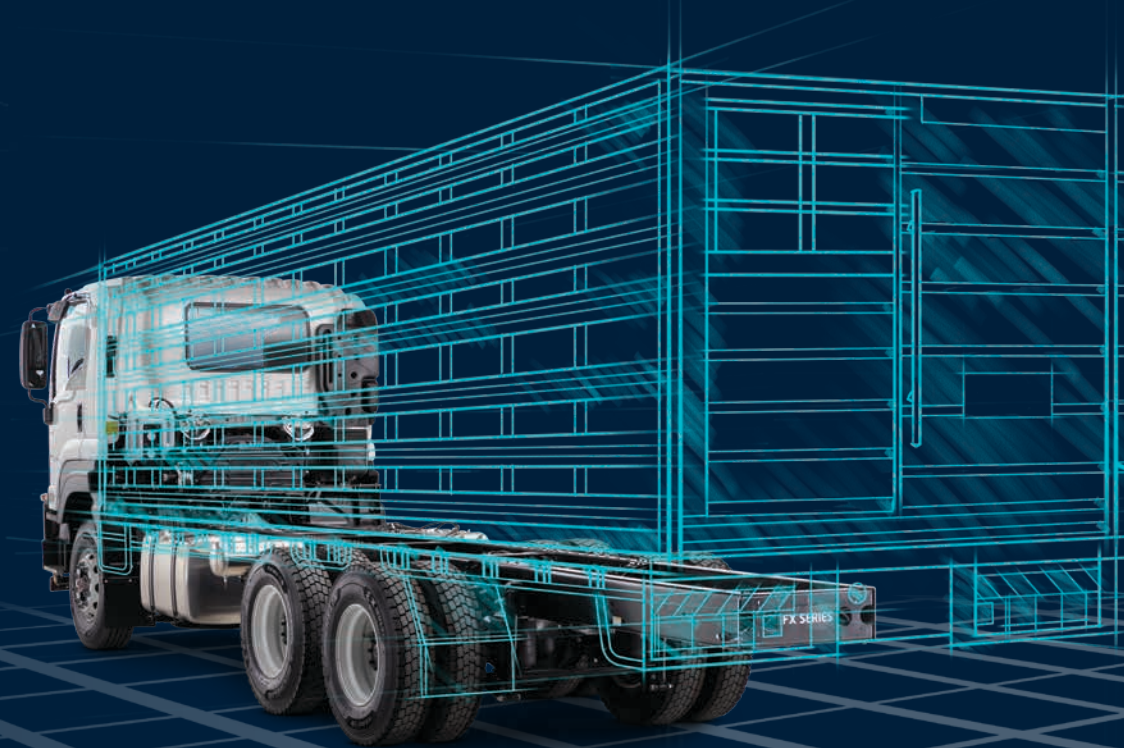
- 350PS (257kW), 9.8 litre Isuzu diesel engine with DOC (Diesel Oxidation Catalyst).
- Isuzu 9-speed manual or 6-speed automatic.
- Reversing camera standard.
- Cornering lamps.
- Wide, three-seater, first-class cab.
- ISRI 6860 seat with integrated seatbelt.
- All-New 10.1 inch touch screen MyIsuzu Co-Pilot Multimedia system, with digital and Internet radio.
- Driver airbag with seatbelt pretensioner.
- Cruise control.

Application.

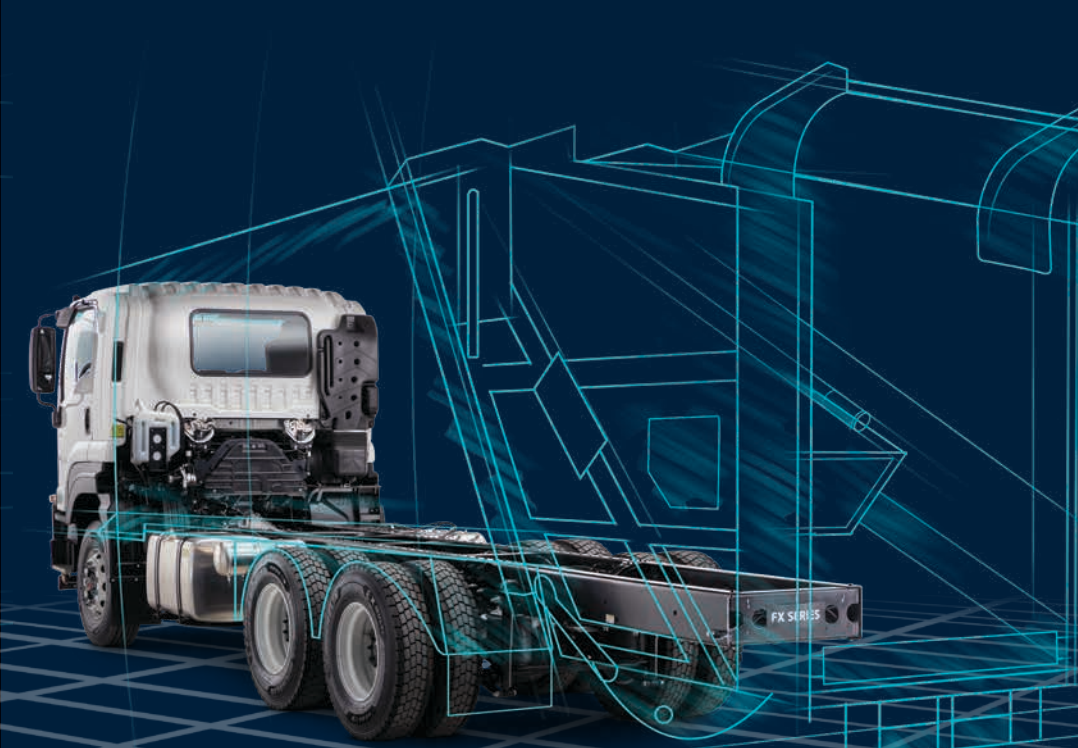
Few other trucks can comfortably fill so many roles. Tilt, lift, skip, tip, mix, chill, pump, crush and more, as you see here. The FX Series wears many, many hats.



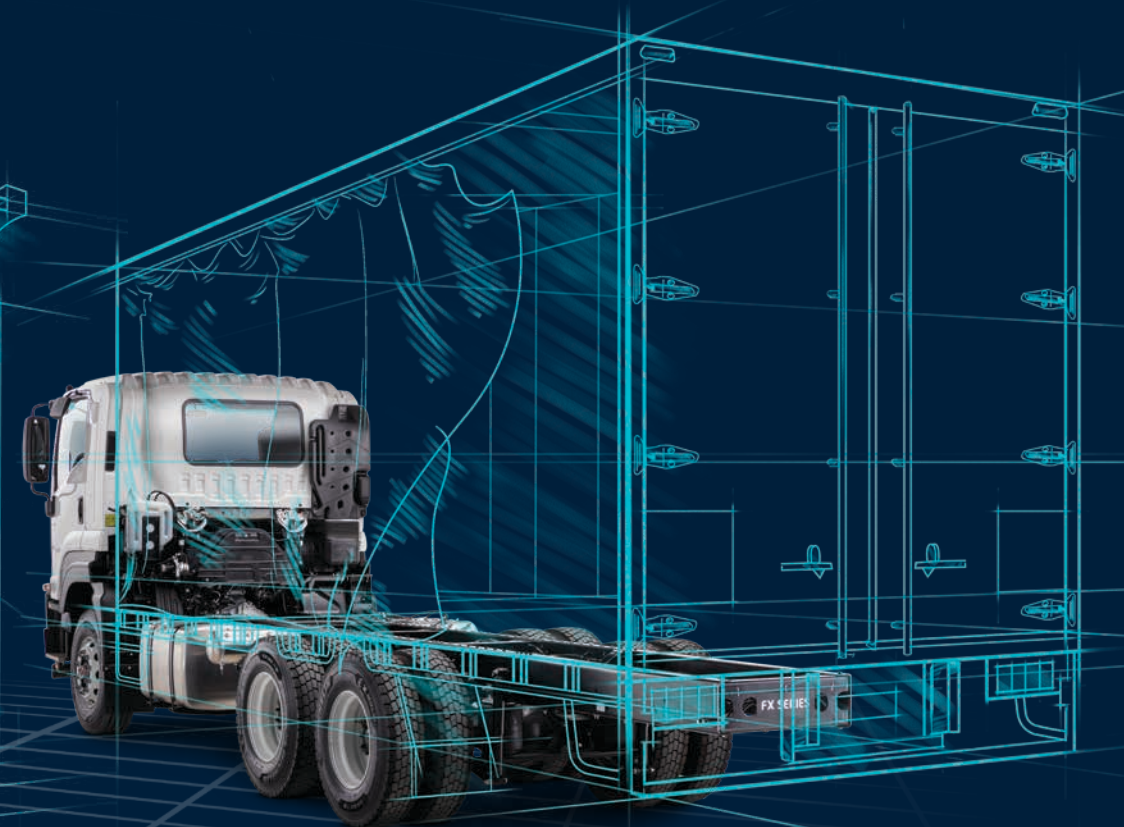
TANKER



LIVESTOCK TRUCK



GARBAGE TRUCK



TAUTLINER TRUCK

A cabin filled with smarts.

Whether you're spending all day behind the wheel or driving to a worksite, you want to stay informed and entertained. And that's what you'll experience every time you climb into your Isuzu, because a lot of thought has gone into creating a super-clever cabin that's super-comfy, to boot.

Mylsuzu Co-Pilot Multimedia Unit



Cruise control



Dual cup holder

Climate control

Heated mirrors

Fully adjustable steering wheel

CONTROL YOUR SPEED, AND YOUR CLIMATE.

Advanced electronic cruise-control and automatic climate-control air-conditioning are both standard in all models.

WATCH YOUR BACK.

Reversing cameras are a luxury in many trucks, but not so with an Isuzu FX Series. It comes standard with a seriously clever rear camera. It doesn't just make reversing safer, you can use it to check your trailer when you're driving forward too.



THE BEST SEAT IN THE BUSINESS.

All FX Series have the ISRI 6860 air-suspension driver's seat as standard. And it's anything but standard. It incorporates a lap-sash seatbelt, head restraint, dual-stage air lumbar/lateral support, integrated pneumatic system, adjustable shock-absorber and body-hugging upholstery from head to knee. Sharing the load for the sake of your body.



CARRY LOADS IN THE CAB.

Cabs are anything but afterthoughts with Isuzu. For instance, you'll find stacks of storage space and locations for all your stuff. Along with heaps of room for you and your workmates as well, including generous stretch-out legroom. All in all, it's a very comfy and accommodating place to be.



MAKE YOUR WAY WITH MYISUZU CO-PILOT.

Mylsuzu Co-Pilot is a seamlessly integrated system that features a tailored truck specific navigation experience with a user-friendly interface.

In addition to truck-specific routing (which accounts for the dimensions of the truck being driven), the system will provide the end-user with over-the-air 'smart' capabilities such as live traffic information and live map updates* (provided the unit is connected to WiFi or a phone hotspot).

It also comes with an intuitive custom navigation experience featuring speed camera alerts, maximum speed, hazmat specifications, and more. MyIsuzu Co-Pilot - designed to help you work smarter, not harder.

*3 year subscription

MULTIMEDIA.

The MyIsuzu Co-Pilot multimedia system features a 10.1 inch touch screen, Apple CarPlay, Android Auto, and DAB+ stations. Hands-free Bluetooth and truck specific navigation are standard.



THE INS AND OUTS OF YOUR DAY.

Deep non-slip steps and wide doors opening to 90° ensure getting in and out of an Isuzu cab is never a pain, no matter how many times a day you have to do it.

Specifications.

Here you'll find basic specifications for our five FX models. With a choice of transmissions, wheelbases, axles and suspensions, the FX Series can be configured to suit your specific needs. All with Isuzu's legendary reliability.

FX Specs

MODEL	DESIGNATION	GVM (kg)	GCM (kg)	ENGINE	POWER (kW@RPM)	TORQUE (Nm@RPM)	TRANSMISSION (GEARS/TYPE)	REAR AXLE	REAR SUSPENSION
FXR 165-350	LWB	16,500	38,000	6UZ1-TCN	257@2,000	1,422@1,400	9-speed manual	Meritor RS-23	Isuzu leaf
FXD 165-350	LWB	16,500	38,000	6UZ1-TCN	257@2,000	1,422@1,400	9-speed manual	Meritor RS-23	Hendrickson HAS230 Air
	XLWB						6-speed automatic		
FXL 240-350	LWB	24,000	38,000	6UZ1-TCN	257@2,000	1,422@1,400	9-speed manual	Meritor RS-23	Hendrickson HAS461 Air
	LWB						6-speed automatic		
FXZ 240-350	AUTO MLWB	24,000	45,000	6UZ1-TCN	257@2,000	1,422@1,400	9-speed manual	Meritor RT40-145	Isuzu 6-Rod leaf
	AUTO LWB						6-speed automatic		
FXY 240-350	LWB	24,000	45,000	6UZ1-TCN	257@2,000	1,422@1,400	9-speed manual	Meritor RT40-145	Hendrickson HAS461 Air
	AUTO MWB						6-speed automatic		
	AUTO MWB								

FX Warranties

MODEL	VEHICLE	ROADSIDE ASSIST
FXR, FXD, FXL, FXZ and FXY	6 years or 600,000 kilometres or 10,000 hours*	6 years

*6 year warranty excludes Concrete Agitator and Garbage Compactor models which are covered by a 3 year warranty, 3 year roadside assist and 300,000 km.



LEAVE SHIFTING BEHIND.

Forget about shift work with the Allison 6-speed Automatic Transmission on many of our FX Series trucks. Just switch it on to eliminate shifting and help reduce fatigue. Once you try it, you won't know how you went without it.

SUSPENDED ON AIR.

Most FX models come with Hendrickson airbag rear suspension, a premium proven component from North America. It helps provide a stable ride for both load and driver.

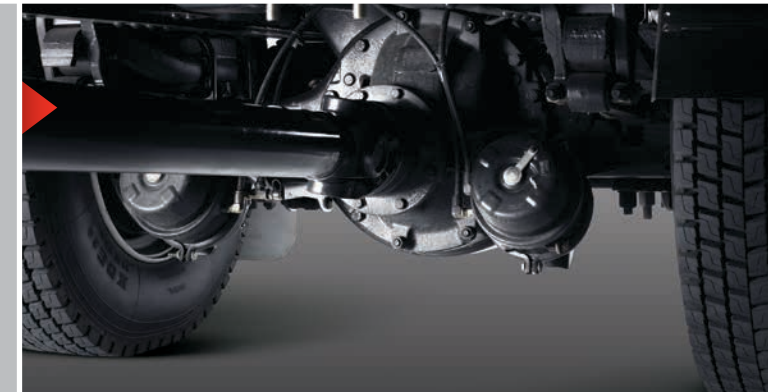
BUILT FROM THE BEST.

With Isuzu trucks, the sum is always greater than the parts. Having said that, our FX Series features parts from the most respected componentry companies around the world. Like the highly trusted ZF 9-speed manual transmission or legendary Allison Automatic transmissions. Other big name components come from Hendrickson, Meritor, and Blaupunkt. So it's not hard to see why our FX trucks are the best.



WHY WE LOVE OUR AXLES.

Meritor front and rear axles are fitted to all FX models. Yet another world-best component favoured by Isuzu. They offer high capacity and driver-controlled cross locks, so you should never get stuck (except maybe in traffic).



TYRES YOU CAN TRUST.

We use Michelin X Multi Z2 steer tyres, and X Multi D drive tyres so you can drive safely every day, in every condition. Featuring a self-regenerating tread design for better vehicle control, reinforced tread plies to help reduce risk of sudden pressure loss, and strengthened bead endurance to handle long-distance, high-speed drives.



Bright new thinking.

Night driving can be taxing on the eyes, not to mention dangerous, so your truck's headlights have to be much more than an afterthought. That's why our FX series now come equipped with advanced LED lights for low beams, and halogen lights for high beams, providing a superior forward-view. Plus, they're easier on the eyes, too, allowing your truck to be easily seen.



GREATER LOADS IN GREATER SAFETY.

All FX models are compliant with both European safety standards ECE-R29 and ECE-R93. Meaning European cab strength and Front Underrun Protection for your piece of mind. Plus, with these features, you can take advantage of an additional 500kg of GVM over the national standard thanks to a 6500kg steer axle capacity.

A VERY SAFE HAVEN.

All FX Series cabs comply with ECE-R29 standard, so they are truly world-class. Double side-intrusion bars, seatbelt pretensioners and load-limiters, and driver airbags are all standard. Along with traction control and a whole alphabet of other safety systems. In an Isuzu, you will always work safe.

TWENTY-TWENTY HINDSIGHT.

Your twin rear-view mirrors are big, heated and powered, with integrated spotters. It's a case of 'Objects in mirror are clearer than you think'.



STEER AROUND HAZARDS.

All FX models come standard with ABS brakes, so you can steer as you brake, along with many other safety features.

Isuzu Care.

Isuzu Care is the most comprehensive customer care programme ever seen in the Australian truck market. It offers truck buyers and owners a suite of innovative support services and a level of customer care that is setting new industry standards.



ISUZU CARE TEAM.

Why would you trust your Isuzu to anyone but an Isuzu-trained technician? With meticulous training tailored specifically to Isuzu trucks, our team carries out servicing and repairs to manufacturer-documented standards (and that means the highest level possible!).

DEALER NETWORK.

Isuzu has an extensive network of dealers around Australia. So no matter where you are, you'll never be too far from a dealer if you need support.

Warranties.

When we say reliability is everything, it's more than just talk. That's why we're now backing all our FX Series models with an industry-leading warranty support package. This includes, for the first time ever, a 6 year* warranty on the cab chassis.

*Excluding models operating under harsh conditions, which receive a 3-year warranty with no hours stipulation.



6 YEAR FACTORY WARRANTY.

When you build trucks as reliable as our FX series, you're only too happy to stand by them. That's why all of our FX trucks come with a Factory Warranty that covers you for 6 years*, 600,000 kilometres or 10,000 engine hours, whichever comes first. This standard warranty is the most comprehensive we have ever offered in Australia. And if the unexpected should happen and you run into trouble out on the job somewhere, you'll also have the peace-of-mind of 6 years of Roadside Assist.

*Excluding models operating under harsh conditions, which are covered by a 3 year warranty with no hours stipulation.

6 YEAR 24/7 ROADSIDE ASSIST.

Isuzu Assist is a 6 year*, 24-hour roadside assistance program that comes at no extra cost with all new Isuzu Trucks. And while our trucks are renowned for their reliability, even if you run out of fuel, lose your keys, get a flat tyre (or battery), Isuzu Assist will be there to sort it out. Just Freecall 1800 947 898.

*Excluding models operating under harsh conditions, which are covered by a 3 year Roadside Assist Program.

Agree to less servicing stress.

Few things cause as much pain to a business as a big, unexpected bill. And while Isuzu can't help with all of your outgoings, our service agreements will flatten your truck servicing costs into a single, predictable, monthly payment (or upfront fee in the case of Isuzu Essentials).



INCREASED RE-SALE VALUE, DECREASED RISK.

Looking after your truck pays bigger dividends than just better performance. Proper maintenance lowers the total cost of ownership, reduces downtime, and improves the revenue of every load. When the time comes to upgrade, a comprehensive service history means you'll get top dollar.

You can also rest easy knowing that with a service agreement you'll be running a well-maintained fleet, which means safer trucks for your drivers. However, it's not just about protecting people... although obviously that reason is enough. With the new Chain of Responsibility laws, proper servicing also protects your business.

Isuzu Essentials.

Available on new trucks only and paid upfront, Isuzu Essentials covers your truck's first three regular services up to either your 36 month or 45,000 or 60,000km service (whichever comes first. Distance depends on truck model).

- Genuine Filters & Lubricants*
- Check and Report Fault Codes
- Wheel Bearing Re-pack (F Series only)
- Lubricating All Joints
- Washer Fluids
- Labour
- Valve Adjustments
- Consumables
- Environmental

*Does not include air filters.

Isuzu Essentials Plus.

Essentials Plus is available on new trucks and trucks currently in use, up to 36 months old. This plan also covers consumables such as wiper blades, light globes, fuses and fan belts.

- Genuine Filters & Lubricants
- Check and Report Fault Codes
- Wheel Bearing Re-pack
- Lubricating All Joints
- Globes – Stop, Tail, Number Plate, Indicator, Headlight, Interior
- Wiper Blades
- Relays & Fuses
- Fan Belts & Coolant Hoses
- Washer Fluids
- Labour
- Valve Adjustments
- Consumables
- Environmental

Isuzu Total.

Our most comprehensive new truck service agreement. It covers everything included in Essentials Plus, as well as engine, transmission, driveline, brakes, suspension, and electrical componentry.

- Genuine Filters & Lubricants
- Check and Report Fault Codes
- Wheel Bearing Re-pack
- Lubricating All Joints
- Globes – Stop, Tail, Number Plate, Indicator, Headlight, Interior
- Wiper Blades
- Relays & Fuses
- Fan Belts & Coolant Hoses
- Washer Fluids
- Engine Components
- Transmission Components
- Brake Components
- Suspension Components
- Electrical Components
- Labour
- Valve Adjustments
- Consumables
- Environmental

AVAILABLE EXTENDED OPTIONS.

For Isuzu Essentials Plus and Isuzu Total.

- Extended Care
- Extended Assist
- After-Hours Servicing
- Glass Coverage
- Fuel Card
- Pick Up & Drop Off

Isuzu parts overview.

While we pay a lot of attention to our trucks, we can't forget about everything that keeps them going in the first place: our Genuine Parts and industry leading support and warranty programs. At the end of the day, this is why Isuzu remains Australia's truck market leader.

parts.isuzu.com.au

GENUINE PARTS.

Isuzu's commitment is to provide the highest quality Genuine Parts, backed by industry-leading support and warranty for reduced downtime, to provide operators more time focusing on the important tasks at hand.

Australia's truck market leader provides peace of mind that money just can't buy and when fitted by an authorised Isuzu technician, can help to extend the working life of your truck.

Insist on Genuine Isuzu Parts and you'll be insisting on value for money, safety and long lasting performance. In the Transport Industry - Reliability is everything.

Make it your own.

Genuine Isuzu accessories are designed to improve your experience of owning and driving an Isuzu by enhancing your truck's practicality and style. And you can rest easy knowing that all Isuzu accessories are designed and manufactured to meet Isuzu's rigorous engineering standards. So personalise your pride and joy.



BULLBAR.



WEATHER SHIELDS.



RUBBER FLOOR MAT.



TYRE PRESSURE MONITORING SYSTEM.



SEAT COVER.